

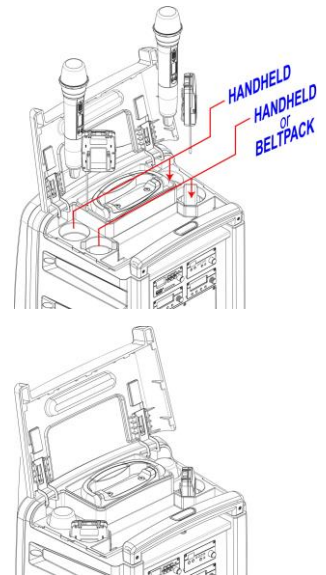
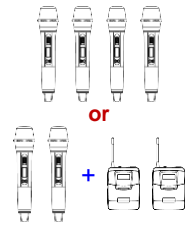
APEX PRO

Multifunctional Wireless Mixer Amplifier

Wireless Portable Amplifiers



STORAGE



General Features

- Dual 240W Class-D power amplifiers built in.
- Built in 2-way 240 watt speaker system (10" + 1" HF).
- 240 watt active output for external 4~8Ω speaker.
- MIC 1 and 2 are XLR/6.3mm combo jack connectors for microphone and line inputs with individual volume control and a MIC/LINE level switch.
- LINE IN (XLR/6.3mm combo & 3.5mm jacks) with volume control.
- Up to 4 diversity receiver modules with 100 frequencies.(optional)
- Scan and Sync button for quick and simple mic channel set-up.
- Built in Bluetooth receiver for music streaming.
- DIGITAL IN (USB 2.0) allows playing audio files directly from computer via USB cable.
- ACTIVE OUT (XLR jack) for multi-unit audio linking.
- SPEAKER OUT (6.3mm jack) for an external 8Ω passive speaker with volume control.
- REVERB with bypass, and volume control for wired and wireless microphones (switchable).
- VOICE PRIORITY function automatically ducks music during speech (switchable).
- 3-band equalizer (BASS / MIDDLE / TREBLE) for all audio inputs.
- Digital limiter prevents output distortion, with 6-step LED audio meter indicator.
- Smart charging circuit with 4-step LED battery indicators and charging LED.
- Storage compartment for 4 transmitters (handheld x 4 pcs or handheld x 2 pcs + beltpack x 2pcs) and a switching power supply.
- User friendly battery compartment design for simple battery replacement.
- Integrated retractable handle and BIG wheels for easy portability.
- Tripod stand mountable with ST-50.
- Up to 12 hours operating time per charge with lithium battery and 6 hours with Lead-Acid battery.
- 2 power modes: Internal Rechargeable battery & DC jack.



*** Specifications and design are subject to change without prior notice.*

Specifications

Model	APEX PRO	
Onboard Class D amplifier	Dual 240W Class-D power amplifiers	
Maximum Output Power	Built in 2-way 240 watt speaker system 240 watt active output for external 4~8ohm speaker	
Speaker system	10" LF, 1" HF and crossover	
Sensitivity	Maximum 110 dB	
T.H.D.	< 0.5%	
Freq. response	50Hz-20KHz±3dB	
Audio Inputs	MIC/LINE in x 2 (6.3mm/XLR COMBO) LINE IN x 2 (6.3mm/XLR COMBO, 3.5mm) Digital in (USB 2.0) Up to 4 wireless microphones	
Audio Output	ACTIVE OUT (XLR)	
External speaker	8Ω (6.3mm), with volume control	
Controls	EQUALIZER, REVERB & VOICE PRIORITY on wired/wireless mics	
Audio meter indicator	6 LED indicators	
Power supply	Input: 100-240V AC / 30-32V DC, 4A	
Battery type	Lead-Acid	Lithium
Battery spec	12V, 5A	29.4V, 7.8A
Battery Q'ty	2	1
Battery Indicator	4 LED indicators	
Operating time	5-6 hrs in music, >10 hrs in speech	8-10hrs in music, >12 hrs in speech
Charging time	about 6 hrs	about 8hrs
Storage	Handheld x 4 pcs or Handheld x 2 pcs + Beltpack x 2pcs, and a switching power supply	
Dimension (mm)	550(H) x 360(W) x 340(D)	
Weight (kg)	18.7	15.7

** Specifications and design are subject to change without prior notice.