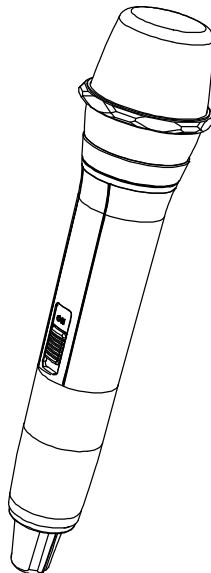


CHIAYO

Operation manual

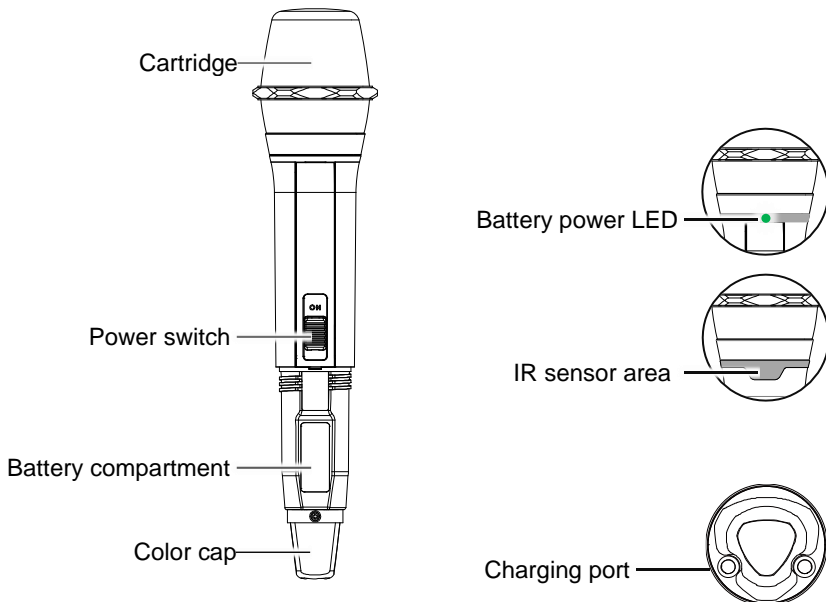
NH-3500

Rechargeable Handheld Wireless
Microphone



CHIAYO ELECTRONICS CO., LTD.

Parts and functions



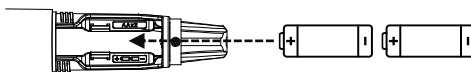
Battery installation & indicator



When the microphone is switched ON, the indicator will blink RED once to denote the batteries are in good condition. Then it will turn steady GREEN until power off.



If the indicator turns steady ORANGE, it means the batteries are weak and require replacement.

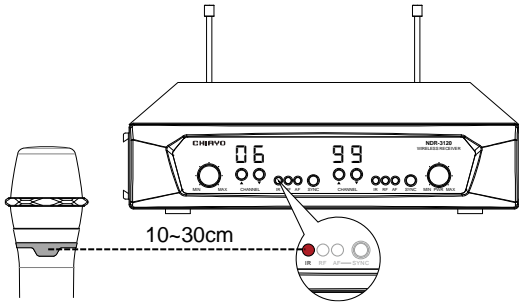


This microphone requires two AA batteries to operate.

To install, remove the battery cover and insert the batteries into the compartment.

IMPORTANT ! Batteries contain corrosive acid that may leak and damage the microphone when stored for a long period. Batteries should be removed from the microphone before storing without use for more than 4 weeks.

Channel synchronizing of the receiver and microphone



To achieve successful synchronization hold the receiver and microphone within 10-30cm of each other.



Changing the microphone's channel

Press the synchronizing button of the receiver and the receiver will transmit the frequency to the microphone and synchronize the channels

If it doesn't work check that you have the IR sensor panels aligned, that they are facing each other, devices are within 10~30cm of each other, and try again.

CHIAYO ELECTRONICS CO., LTD.

Http://www.chiayo.com.tw | Email: sales@chiayo.com.tw
Office: 30, Lane 27, Section 4, Jen-Ai Road, Taipei 10685, Taiwan
Tel: 886-2-27415741 | Fax: 886-2-27525242
Factory: 88, Chung-Hsiao Street 2, Chiayi 60080, Taiwan
Tel: 886-5-2711000 | Fax: 886-5-5767611

